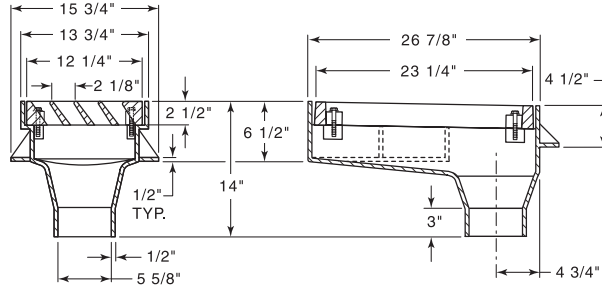


R-3922
Bridge Drain Frame, Bolted Grate

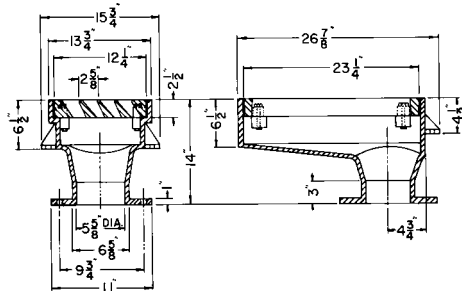
Heavy Duty



CATALOG NUMBER	GRATE TYPE	SQ. FT. OPEN	WEIR PERIMETER LINEAL FEET
R-3922	V	1.0	5.9

R-3922-A
Bridge Drain Frame, Bolted Grate

Heavy Duty

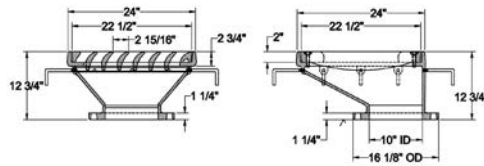


CATALOG NUMBER	GRATE TYPE	SQ. FT. OPEN	WEIR PERIMETER LINEAL FEET
R-3922-A	V	1.0	5.9

Downspout furnished by others.

R-3923
Bridge Drain Frame, Bolted Grate

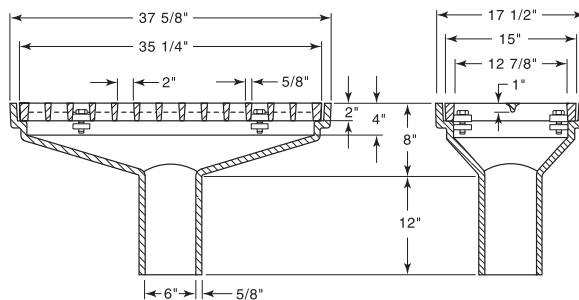
Heavy Duty



CATALOG NUMBER	GRATE TYPE	SQ. FT. OPEN	WEIR PERIMETER LINEAL FEET
R-3923	V	1.6	5.6

R-3924
Bridge Drain Frame, Bolted Grate

Heavy Duty



CATALOG NUMBER	GRATE TYPE	SQ. FT. OPEN	WEIR PERIMETER LINEAL FEET
R-3924	A	2.3	8.4